

ZW-5 series

**HITACHI**

Reliable solutions

# ZW310



## WHEEL LOADER

Model Code : ZW310-5B

Max. Engine Power : 213 kW (285 HP)

Operating Weight : 24 520 - 25 200 kg

Bucket ISO Heaped : 3.4 - 4.5 m<sup>3</sup>



# WALK AROUND

## CONTENTS

### 4-5 Comfort

A comfortable work space enhances operational efficiency.

### 6-7 Advanced technology

Hitachi is renowned for manufacturing technologically advanced machines that deliver an outstanding level of performance.

### 8-9 Safety and the Environment

The environment and safety were important elements in the design process for the new range of ZW-5 wheel loaders.

### 10-11 Productivity

New hydraulics and gearshift systems, plus enhanced manoeuvrability, ensure high productivity.

### 12-13 Maintenance

Daily inspections can be carried out quickly and easily to increase the availability of the ZW310-5.

### 14-15 Hitachi Support Chain

Customers can choose from a comprehensive range of after-sales services.

### 16-19 Specifications

#### Advanced technology

The quick power switch boosts the power of the ZW-5 wheel loader when required by changing the work mode.

#### Lower fuel costs

The new ZW-5 wheel loader can work in two modes, which provide an appropriate level of performance for the specific job. One is for regular operations with the benefit of efficient fuel consumption; the other is for more demanding tasks and increases productivity.

#### High productivity

A new hydraulic circuit facilitates the combined operation of the bucket and lift arm for loading and prioritises the use of the bucket for loading work.

#### Sustainable operation

A muffler filter captures air pollutants, which are automatically burnt thanks to an oxidation catalyst and exhaust temperature control.

#### Powerful engine

The 12.9-litre six-cylinder water-cooled turbo engine enables a powerful digging performance, impressive travel speeds and benefits from excellent fuel consumption.

#### Heavy-duty axle

Hitachi axles are renowned for high performance and durability – ideal for working on demanding job sites.



# ZW310

The new Hitachi ZW310-5 wheel loader has been designed with one aim in mind: empowering your vision. Productivity, comfort, advanced technology, environmental performance and maintenance, it delivers on all levels. It not only meets our customers' expectations of high-quality, reliable machines, but also provides operators with a safer working environment, a comfortable cab with easy-to-use controls, and overall, a machine that responds quickly and precisely. To ensure optimum availability of the new ZW310-5, we have incorporated easy maintenance features into its design. We also offer the flexible Hitachi Support Chain after-sales program to customers who wish to further enhance its uptime and protect their investment.

### **Spacious cab**

The heated air-suspension seat can slide back further, providing more legroom. The tilting telescopic pop-up steering column has also been repositioned to create additional space.

### **Ultimate comfort**

An air-conditioning system regulates the temperature inside the cab and a double filter is provided as standard equipment for dusty environment such as industrial waste job sites. Sound insulation reduces noise levels from the local environment.

### **Easily accessible information**

The new large multi-function LCD screen displays information at a glance and the adjustment function to the operator.

### **Excellent visibility**

A windshield without pillars and a large sun visor enhance visibility levels from the operator's seat.

### **Controlled movement**

A new clutch cut-off system allows for smooth operation when the ZW-5 wheel loader is loading.

### **Quick and easy access**

The redesigned engine cover provides easy access to inspection points and allows for quick maintenance from ground level.

### **Transmission control**

The automatic transmission selects the appropriate gear for travelling and digging.

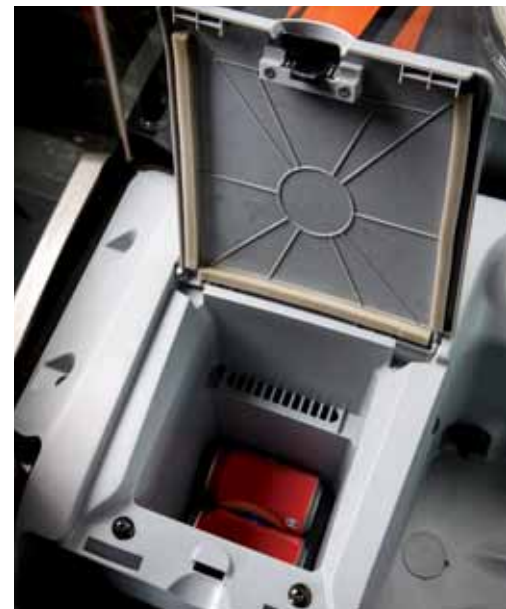


The photos in the brochure are taken using the machines for Europe and Japan. The specification in Australia may be different from that of the photos.



# COMFORT

Operator comfort was one of the top priorities for the designers of the new ZW-5 wheel loader range. In order to enhance the overall user experience, they made several important changes to the cab of the previous models. The benefits of these adjustments include greater visibility and a more spacious working environment. Several practical and user-friendly features have also been added to help you get the job done easily and comfortably, and enjoy your working day.



# For operator comfort, the ZW-5 series is second to none



## Take a seat

Hitachi has prioritised operator comfort in the design of the ZW-5 range of wheel loaders to give you a greater sense of enjoyment during your working day.

The sloped ladder and wide steps allow quick and easy access to the cab. The heated air-suspension seat with adjustable lumbar support can slide back further than ever before, allowing more leg room. The wrist and arm rests and right-hand side console can be adjusted to achieve a comfortable sitting position, and the tilting telescopic and pop-up steering column have also been repositioned to create additional space.

## Pleasant working conditions

Busy construction sites and quarries can be stressful environments to work in, but Hitachi has installed a range of features in the new ZW-5 wheel loaders to make you feel more relaxed wherever you are.

An effective air conditioning system regulates the temperature within the cab. A double air-conditioning filter is provided as standard equipment for dusty environment such as industrial waste and indoor disposal facilities. High levels of sound insulation ensure noise levels within the cab are reduced.

## Space for storage

Working long shifts mean that you spend most of your day in the cab of the ZW-5 wheel loader. Hitachi has incorporated several practical features to make you feel more at home.

There is a large space for a lunch box behind and at the side of the seat. The cab also has a large cool box, which is cooled by the air conditioner, with enough storage space for four cans or bottles. Another feature of the cab is the drink holder, designed to hold a 1.5-litre bottle.

## Enjoy your day

A happy operator is also a more productive one. That's why we have enhanced the versatility of the audio equipment, so you can listen to your favourite music while you work.

The AM/FM stereo radio now has an auto-tuning feature and the two-speaker stereo system provides excellent sound quality. It is also possible to connect this with your personal MP3 player thanks to the inclusion of an MP3 dock allows you to connect your personal MP3 player. The new multi-function LCD monitor has a large seven-inch screen and it provides a wide range of useful technical information.

## Key features

■ Heated air-suspension seat

■ Expansive leg room

■ Ergonomically designed control panel

■ New colour LCD monitor

■ Effective air conditioning

■ Tilting telescopic and pop-up steering column

■ Easy access via sloped ladder and wide steps

■ AUX terminal and storage for MP3 player



# ADVANCED TECHNOLOGY

The new ZW-5 wheel loader range is able to exceed previous levels of performance and productivity due to the advanced technology incorporated within it. Such technology has been developed by Hitachi over more than 40 years, and has helped to build our global reputation for manufacturing high-quality construction equipment. Several features on the ZW310-5 have been designed to reduce its environmental impact, lower fuel consumption and enhance its overall performance on any job site.



# A superior performance is guaranteed



## Simple work mode ①

The new ZW-5 wheel loader can be operated in two modes to ensure lower fuel consumption and maximise productivity: Standard mode is for regular duties such as loading materials; and P mode is chosen for more demanding tasks such as heavy duty digging.

In Standard mode, the engine speed is controlled, which allows for smooth and efficient acceleration during loading, regular operations and travelling on level terrain. Fuel consumption is reduced by up to 10%, enhancing the environmentally friendly performance.

The P mode is useful when greater traction force is required for heavy-duty excavation and travelling uphill. By fully utilising the engine's capability, it allows for powerful digging and a quick ascent up gradual slopes.



## Quick power switch ②

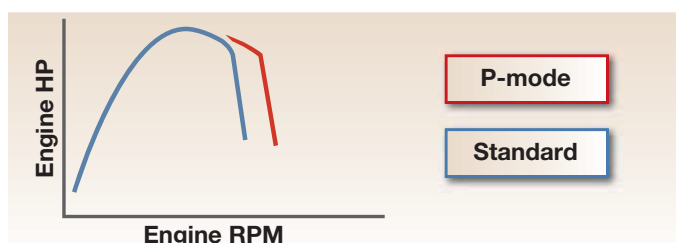
The operator can boost the power of the ZW-5 wheel loader at the push of a button. The Quick power switch changes the mode from Standard to P and can be used when travelling uphill with a full load or when greater breakout force is required.



## Clutch cut-off ③

The new clutch cut-off system controls clutch timing for a smoother operation, according to travel speed and the pedal depression level. When travelling at high speed on flat terrain, the clutch can be released early so the wheel loader slows down smoothly with the application of the brake pedal.

When travelling slowly uphill, the clutch is released by deeply depressing the pedal to allow for easy unloading.



## Key features

- Simple work mode
- Quick power switch
- Clutch cut-off



# SAFETY AND THE ENVIRONMENT

The design of the ZW310-5 considers the environment in two ways. Firstly, it was built to comply with US EPA Tier 4 Interim / EU Stage IIIB emission regulations and has a range of features to boost fuel efficiency, which will also help to reduce your running costs. Secondly, it has been designed to provide greater all-round visibility of the job site, which gives it a direct impact on safety in its immediate surroundings, and helps to ensure the smooth operation of any project.





# The ZW310-5 contributes to a cleaner, safer work environment



## A cleaner environment

The new ZW-5 wheel loader range epitomises our efforts to minimise the impact of construction machinery on the environment in compliance with US EPA Tier 4 Interim / EU Stage IIIB emission regulations.

The ZW-5 has been fitted with a muffler filter to capture air pollutants, which is automatically burnt thanks to an oxidation catalyst and exhaust temperature control. The variable geometry turbocharger – that encourages optimal combustion – and high volume-cooled EGR (Exhaust Gas Recirculation) also help reduce nitrous oxide levels.

All resin parts on the new ZW-5 are suitable for recycling and are clearly marked for ease of separation during recycling. The ECO display indicates ECO drive that results in a fuel-saving performance.

## A safer work environment

The operator of the ZW-5 can relax in a safer work environment. The new wheel loader offers excellent visibility from all angles. The view from the cab is enhanced by a windshield without pillars, a large sun visor and additional glass panels in the door.

Looking to the rear of the machine, the counterweight is now visible on both sides, which is particularly useful for working on small job sites. The rear-view monitor allows the operator to see directly behind the machine. The colour display in the front console is easy to view and works automatically when the FNR lever/switch is in reverse position.

## Shift-up delay to third gear

This system delays the timing of the shift-up to the third gear to enhance safer operation of the ZW-5 wheel loader in confined spaces. The wheel loader can perform excavating and unloading tasks more safely in first and second gear.

## Key features

- Fuel-saving work mode
- Muffler filter and ECO display
- Windshield without pillars
- Large sun visor

- Both sides of counterweight visible
- Rear-view monitor
- Shift-up delay to third gear



# PRODUCTIVITY

The new ZW310-5 wheel loader has been built to deliver high levels of productivity, with a smaller impact on the environment, ensuring a quick return on your initial investment and having a direct impact on the profitability of your business. It is easier to manoeuvre than the previous model, and the latest hydraulics and gearshift systems are guaranteed to have a positive impact on efficiency.



# Designed to improve efficiency on the job site



## Increased efficiency

We have designed the latest range of ZW-5 wheel loaders to offer increased productivity – without burdening the environment – through sustainable operations.

It is equipped with a new hydraulic circuit, which facilitates the combined operation of the bucket and lift arm for loading, and prioritises the use of the bucket for unloading.

The lift arm movement contributes to the new ZW-5's high productivity levels. The flow control lowers the lift arm smoothly, reducing vibrations and operator fatigue. The anti-drift valve blocks internal leaking of oil and stops creeping of the lift arm.

The height of the lift arm kick-out and lift arm auto leveller are easily adjusted by using the monitor on the front console.

## Enhanced manoeuvrability

The manoeuvrability of the ZW-5 wheel loader series has been enhanced by automatic gearshift controls.

The Auto 1 option automatically shifts between first and fourth gear, depending on the load, when second to fourth gears have been engaged.

The Auto 2 option automatically shifts between second and fourth gear, relative to the load. If required, the operator can also change gears manually by using the Down Shift Switch to suit the terrain on any job site.

The ZW-5 series is equipped with a ride control feature that reduces vibration while the wheel loader is travelling on rough ground or snow. In auto mode, it turns on and off automatically while the wheel loader is in operation.

## Key features

- Powerful and sustainable
- Ride control
- Automatic gearshift
- New hydraulics circuit

- Smooth lowering of lift arm
- Environmentally friendly design
- Anti-drift system
- Adjustable kick-out height and auto leveller



# MAINTENANCE

In order to get the most from your machine, it's important to carry out routine checks and maintenance procedures. The quicker and easier it is for you to complete these tasks, the less likely it is for them to be overlooked. That's why the new ZW310-5 has been designed with several features that allow for convenient cleaning and maintenance. So wherever your ZW310-5 is working, you can be assured of optimum levels of productivity and availability.



# Work for longer with the ZW-5 wheel loader



## Easy access

Hitachi has introduced a range of time-saving features on the new ZW-5 wheel loaders, which are designed to make life easier for you on the job site.

Many of the covers on the machine can be opened fully so you can access maintenance points quickly and easily on a daily basis. Many features – such as the greasing points, oil levels and the fuel filters – can be accessed at ground level.

Using the technology within the multi-function LCD monitor you can set the routine service schedule to help prevent breakdowns each time the ignition switch is turned on.

## Easy cleaning

Quick and easy routine maintenance is essential for you to achieve high levels of productivity on the job site. With convenient features such as the automatic reversible cooling fan, the new Hitachi ZW wheel loaders are capable of working for longer.

The fan allows for easy cleaning of the radiator with its one-minute automatic reverse rotation every 30 operating minutes. In moderate working conditions, this can be manually operated for cleaning as necessary. Dust from the radiator can be easily cleared through the slide opening of the oil cooler.

## Key features

- Daily checks from ground level
- Automatic reversible cooling fan
- Quick and easy service access



# SUPPORT CHAIN

Once you have taken delivery of your ZW310-5 wheel loader, we want to ensure that it continues to exceed your expectations on the job site. Hitachi's national network of company-owned branches is equipped to provide our customers first-class after-sales service. To further protect your investment, you can choose from a variety of options within the Hitachi Support Chain program. Giving you the flexibility to create your own service plan from the following key areas – each one represents a link in the chain of service available from Hitachi via your local dealer.



# Protect your investment with a variety of after-sales options

## Global e-Service

The new ZW-5 wheel loader is equipped with a satellite communication system. This sends a wide range of machine data to the Hitachi main server. Via the Global e-Service database, you will have remote access to all of this data. All you need is an internet connection and your Global e-Service log-in details.

Global e-Service enables you and your dealer to download and share this data, helping you to remotely manage your fleet. The online facility also helps your dealer to proactively advise you on preventive maintenance and related special offers.

The latest information on the ZW-5 wheel loader is available 24/7 and includes operational data, such as the number of working hours, fuel consumption figures, working modes and location. This helps you to reduce running costs, plan jobs efficiently and keep up to date with machine maintenance to ensure optimum performance and minimal downtime.

## Technical support

The professional and highly trained Hitachi service team combines the global expertise and knowledge of Hitachi Construction Machinery with your local language and culture. We take a proactive approach towards customer service by continuously training our dealer personnel, so that the available global knowledge is passed onto each individual technician in our dealer network.

## Extended warranty and service contracts

Every new Hitachi model is covered by a full manufacturer's warranty. However, your ZW-5 wheel loader may require extra protection due to severe working conditions or to minimise equipment repair costs. To meet these demands, our dealers offer the option of a unique extended warranty program (HELP – Hitachi Extended Life Program) and comprehensive service contracts – the most effective way to optimise the performance of your new ZW-5 wheel loader.

## Parts

Hitachi offers different lines of parts and components to suit your specific needs. In addition to our range of genuine parts, the below options are available:

- If your machines have been working for several years, Hitachi can offer a second line of genuine parts as an attractively priced solution.
- For that highly demanding application or climate, Hitachi provides a line of parts with extra performance.

Whatever choice you make, you can be assured by Hitachi's renowned quality and warranty to give you added peace of mind.

Your Hitachi dealer can supply you with more details on each of the above parts lines.



## Key features

- Check each of your machines from your office – 24/7
- Have a remote insight into fuel consumption
- Check the current and previous locations and movements of your machine(s)

- See maintenance status and items due for renewal on each of your machines
- Receive e-mail notifications for any machine alerts, unexpected movements and more

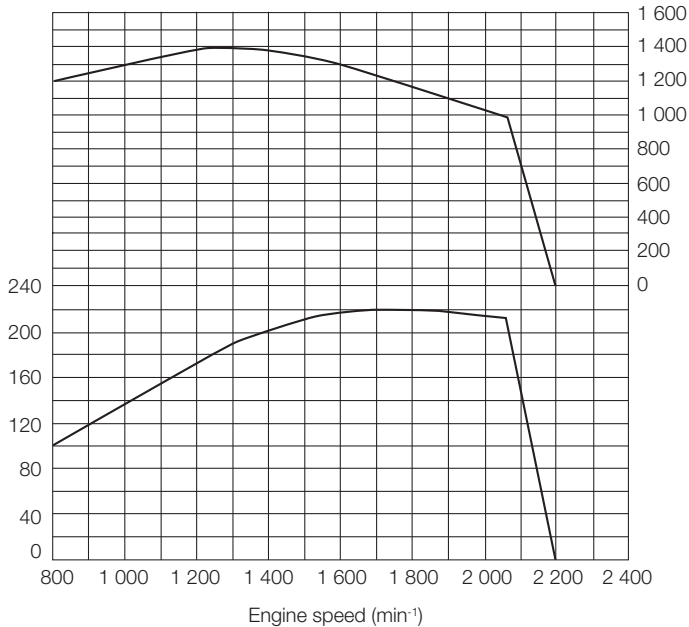
# SPECIFICATIONS

## ENGINE

Model .....	Hino E13C-VV
Type .....	4-cycle water-cooled, direct injection
Aspiration .....	Turbocharger and intercooled
Aftertreatment .....	Muffler filter
No. of cylinders .....	6
Maximum power	
Gross .....	220 kW (295 HP) at 1 800 min <sup>-1</sup> (rpm)
ISO 9249, net .....	213 kW (285 HP) at 1 800 min <sup>-1</sup> (rpm)
Maximum torque .....	1 400 Nm at 1 300 min <sup>-1</sup> (rpm)
Bore and stroke .....	137 mm X 146 mm
Piston displacement .....	12.910 L
Batteries .....	2 x 12 V
Air cleaner .....	Two element dry type with restriction indicator

Engine output  
(kW)

Engine torque  
(Nm)



## POWER TRAIN

Transmission .....	Torque converter, countershaft type powershift with computer-controlled automatic shift and manual shift features included
Torque converter .....	Three element, single stage, single phase
Main clutch .....	Wet hydraulic, multi-disc type
Cooling method .....	Forced circulation type
Travel speed* Forward / Reverse	
1st .....	6.6 / 6.6 km/h (7.1 / 7.1 km/h)
2nd .....	11.3 / 11.3 km/h (12.2 / 12.2 km/h)
3rd .....	22.6 / 22.6 km/h (22.6 / 22.6 km/h)
4th .....	37.0 / 37.0 km/h (37.0 / 37.0 km/h)

\*With 26.5 R25 (L3) tires  
( ) : Data at Power Mode

## AXLE AND FINAL DRIVE

Drive system .....	Four-wheel drive system
Front & rear axle .....	Semi-floating
Front .....	Fixed to the front frame
Rear .....	Trunion support
Reduction and differential gear .....	Two stage reduction with torque proportional differential (std) / limited slip differential (option)
Oscillation angle .....	Total 24° (+12°, -12°)
Final drives .....	Heavy-duty planetary, mounted inboard

## TIRES

Tire size .....	26.5 R25 (L3)
Optional .....	Refer to standard & optional equipment list

## BRAKES

Service brakes .....	Inboard mounted fully hydraulic 4 wheel wet disc brake. Front & rear independent brake circuit
Parking brake .....	Spring applied, hydraulically released, located in transmission

## STEERING SYSTEM

Type .....	Articulated frame steering
Steering angle .....	Each direction 37° ; total 74°
Cylinders .....	Double-acting piston type
No. x Bore x Stroke .....	2 x 90 mm x 450 mm

## HYDRAULIC SYSTEM

Arm and bucket are controlled by single multifunction lever	
Arm controls .....	Four position valve ; Raise, hold, lower, float
Bucket controls with automatic bucket return-to-dig control .....	Three position valve ; Roll back, hold, dump
Main pump (Serve as steering pump)	
.....	Variable Displacement Axial Plunger Pump
Maximum flow .....	280 L/min at 1 800 min <sup>-1</sup> (rpm)
Maximum pressure ...	31.4 MPa
Fan pump	
.....	Fixed Displacement Gear Pump
Maximum flow .....	74.5 L/min at 1 800 min <sup>-1</sup> (rpm)
Maximum pressure ...	15.2 MPa
Hydraulic cylinders	
Type .....	Double acting type
No. x Bore x Stroke ...	Arm : 2 x 145 mm x 884 mm Bucket : 1 x 180 mm x 525 mm
Filters .....	Full-flow 15 micron return filter in reservoir
Hydraulic cycle times	
Lift arm raise .....	6.3 s (6.0 s)
Lift arm lower .....	4.3 s (4.1 s)
Bucket dump .....	1.1 s (1.1 s)
Total .....	11.7 s (11.2 s)

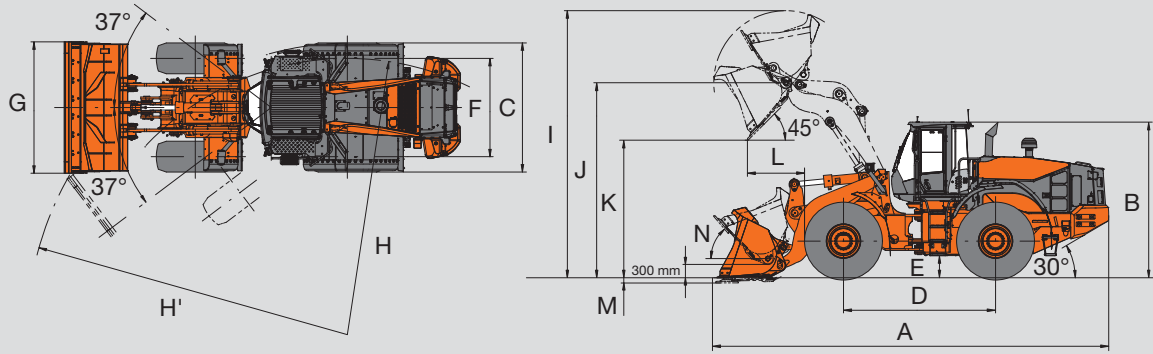
( ) : Data at Power Mode

## SERVICE REFILL CAPACITIES

Fuel tank .....	375 L
Engine coolant .....	57 L
Engine oil .....	45 L
Torque convertor & transmission .....	51 L
Front axle differential & wheel hubs .....	48 L
Rear axle differential & wheel hubs .....	48 L
Hydraulic oil tank .....	137 L



## DIMENSIONS & SPECIFICATIONS



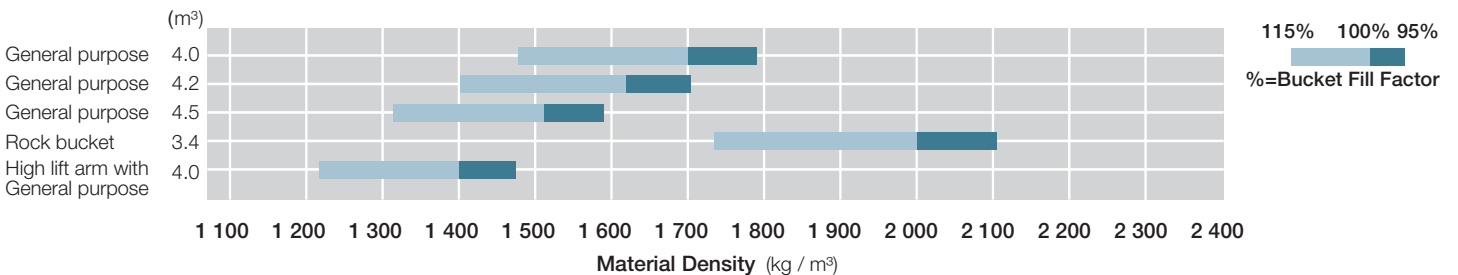
Bucket type			Standard arm			High lift arm	
			General purpose			Rock bucket	General purpose
			Straight edge			Straight edge	Straight edge
			Bolt-on cutting edge	Bolt-on cutting edge	Bolt-on teeth	Bolt-on teeth	Bolt-on cutting edge
Bucket capacity	ISO heaped	m <sup>3</sup>	4.2	4.5	4.0	3.4	4.0
	ISO struck	m <sup>3</sup>	3.7	4.0	3.5	2.9	3.5
A Overall length		mm	8 975	9 040	9 120	9 085	9 375
B Overall height		mm			3 830		
C Width over tires		mm			2 930		
D Wheel base		mm			3 450		
E Ground clearance		mm			485		
F Tread		mm			2 230		
G Bucket width		mm	3 100	3 100	3 115	3 115	3 100
H Turning radius (centerline of outside tire)		mm			6270		
H' Turning radius (bucket in carry position)		mm	7 320	7 340	7 375	7 365	7 490
I Overall operating height		mm	6 045	6 095	6 045	5 790	6 430
J Height to bucket hinge pin, fully height		mm			4425		4 860
K Dumping clearance, 45° full height		mm	3 130	3 085	3 010	3 035	3 600
L Reach, 45° full height		mm	1 285	1 330	1 365	1 340	1 295
M Digging depth (horizontal digging angle)		mm	115	115	145	145	115
N Max, roll back at carry position		deg			50		48
Static tipping load *	Straight	kg	19 270	19 140	19 560	19 120	16 300
	Full 37°turn	kg	16 780	16 670	17 030	16 660	14 190
Breakout force		kgf	21 100	20 200	22 700	23 300	21 900
		kN	207	198	223	229	215
Operating weight *		kg	25 140	25 200	24 520	24 760	24 830

Note: All dimensions, weight and performance data based on ISO 6746-1:1987, ISO 7131:2009 and ISO 7546:1983

\*: Static tipping load and operating weight marked with\* include 26.5 R25 (L3) tires (No ballast) with lubricants, full fuel tank and operator.

Machine stability and operating weight depend on counterweight, tire size and other attachments.

## BUCKET SELECTION GUIDE



# EQUIPMENT

● ..... Standard equipment

○ ..... Optional equipment

## OPERATOR'S STATION

Adjustable steering column with POP-UP	●
Air suspension seat with headrest and heater: fabric, high back, adjustable for damper, inclination of the seat, seat depth, weight-height, fore-aft position, reclining angle, armrest angle, headrest height and angle, lumbar support	●
AM/FM radio with AUX for digital audio player	●
Ashtray, cigar lighter	●
Auto control air conditioner with double intake filter	●
Coat hook	●
Front/Rear defroster	●
Rear view camera & monitor	●
Rear view mirrors	
Inside (2)	●
Outside (2)	●
Retractable seat belt, 50mm	●
ROPS (ISO3471), FOPS Level II (ISO3449) compliant cab: multi-plane isolation mounted for noise, vibration reduction	●
Rubber floor mat	●
Storage	
Cup holder	●
Digital audio player holder	●
Document holder	●
Glove compartment	●
Hot & cool box	●
Seatback pocket	●
Sun visor	●
Textured steering wheel with spinner knob	●
Tinted safety glass: front windshield: laminated, others: tempered	●
Windshield washers for front and rear	●
Windshield wipers for front and rear	●

## ELECTRICAL SYSTEM

Backup alarm	●
Batteries	
Standard batteries (765 CCA)	●
Large capacity batteries (930 CCA)	○
Battery disconnect switch	●
12 V power outlet	●

## COOLING SYSTEM

Automatic reversible cooling fan with heat sensing	●
Fan guard	●
Standard fin pitch radiator	●

## LIGHTS

Brake & tail lights	●
Clearance lights	●
Headlights	●
Rotating beacon	●
Turn signals with hazard switch	●
Work lights	
Front lights on cab (2)	●
Rear lights on rear grille side cover (2)	●
Additional front lights on cab (2)	●
Rear lights on cab (2)	●

## POWER TRAIN

Automatic transmission with load sensing system	●
Axle oil cooler	○
Clutch cut position switch	●
Differential	
TPD (Torque Proportioning Differential, front and rear)	●
LSD (Limited Slip Differential, front and rear)	○
DSS (Down Shift Switch)	●
Forward/Reverse lever	●*
Forward/Reverse selector switch	●
Power mode switch	●
Quick power switch	●
Travel mode selector (Auto1-Auto2)	●

\* Standard when choosing MF lever/MF lever & AUX lever for 3rd function.  
Optional when choosing 2 levers.  
Not applicable when choosing 2 levers & AUX lever for 3rd function.

## ENGINE

Air filter double elements	●
Engine oil filter	●
Engine oil remote drain	●
Fuel pre-filter	●
Fuel main filter	●
High performance water separator	●
Pre-cleaner (Sy-Klone)	●

## MONITORING SYSTEM

Gauge: coolant temperature, fuel	●
Indicator lights: clearance lights, control lever lock, fuel level, high beam, parking brake, preheat, turn signals, work lights	●
Indicator on multifunction monitor: air conditioner display, brake oil pressure gauge, clock, clutch cut off indicator, dual lift arm auto leveler, ECO indicator, fan reverse indicator, F-N-R/Shift position, forward/reverse selector switch indicator, hold display, hour meter, muffler filter, odometer, power mode indicator, ride control indicator, seat belt, speedometer, tachometer, transmission auto-shifting indicator, transmission oil temperature	●
Warning lights: air filter restriction, brake oil low pressure, communication system error, discharge warning, engine oil low pressure, engine warning, hydraulic oil level, low steering oil pressure, overheat, transmission warning	●

## BRAKE SYSTEM

Front & rear independent brake circuit	●
Inboard mounted fully hydraulic 4 wheel wet disc	●
Spring-set/Hydraulic-released parking brake	●

## HYDRAULIC SYSTEM

Bucket auto leveler (Automatic return to dig control)	●
Control lever	

for 2 spools control valve

Multifunction lever (MF lever)



●

2 levers



○

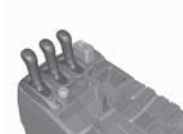
for 3 spools control valve

MF lever & AUX lever for 3rd function



○

2 levers & AUX lever for 3rd function  
- Outside layout pattern  
(Bucket - lift arm - 3rd)



○

Control lever lock switch	●
Coolant reservoir sight gauge	●
Dual lift arm auto leveler	●
Hydraulic filters	●
Lift arm float system	●
Ride control system (OFF-AUTO type)	●

## TIRES

26.5 R25 (L3)	●
---------------	---

## MISCELLANEOUS

Articulation lock bar	●
Belly guard (Bolt on type, front & rear)	●
Bucket cylinder guard	●
Counterweight, built-in	●
Drawbar with locking plate	●
Emergency steering	●
Fenders (Front & full covered rear fenders with mud flaps)	●
Global e-Service	●
Lift arm	
Standard lift arm	●
High lift arm	○
Lift & tie down hooks	●
Pilfer proof	
Battery cover with locking bracket	●
Lockable engine cover	●
Lockable fuel refilling cap	●



**Built on the foundation of superb technological capabilities, Hitachi Construction Machinery is committed to providing leading-edge solutions and services which contribute to the businesses of our customers worldwide.**

---

## Hitachi Environmental Vision 2025

---

The Hitachi Group (the Group) released the Environmental Vision 2025 to reduce their annual carbon dioxide emissions. While the Group is committed to global production, the focus is to reduce the environmental impact of all products, and fulfil a sustainable society by tackling three goals — prevention of global warming, recycling of resources, and enhancing the ecosystem.

### Reducing Environmental Impact by the New ZWs

Hitachi reduces carbon emissions for global warming prevention according to LCA\*. The new ZWs exemplify the Group's commitment to the environment through features, such as the new standard mode which optimises fuel efficiency. Hitachi has long been committed to the recycling of components, such as aluminium parts in radiators and oil coolers. Resin parts are marked for recycling.

\*Life Cycle Assessment – ISO 14040

Prior to operating this machine, including the satellite communication system, in a country other than the country of its intended use, it may be necessary to make modifications to the machine to ensure it complies with the local regulatory standards (including safety standards) and legal requirements of that particular country. Please do not export or operate this machine outside the country of its intended use until such compliance has been confirmed. Please contact your Hitachi dealer regarding compliance. These specifications are subject to change without notice.

Illustrations and photos show the standard models, and may or may not include optional equipment, accessories, customer installed and modified parts, optional parts and all standard equipment with some differences in colour and features. Before use, read and understand the Operator's Manual for proper operation.

